

Three Phase AC Coupled Inverter

3-30 kW

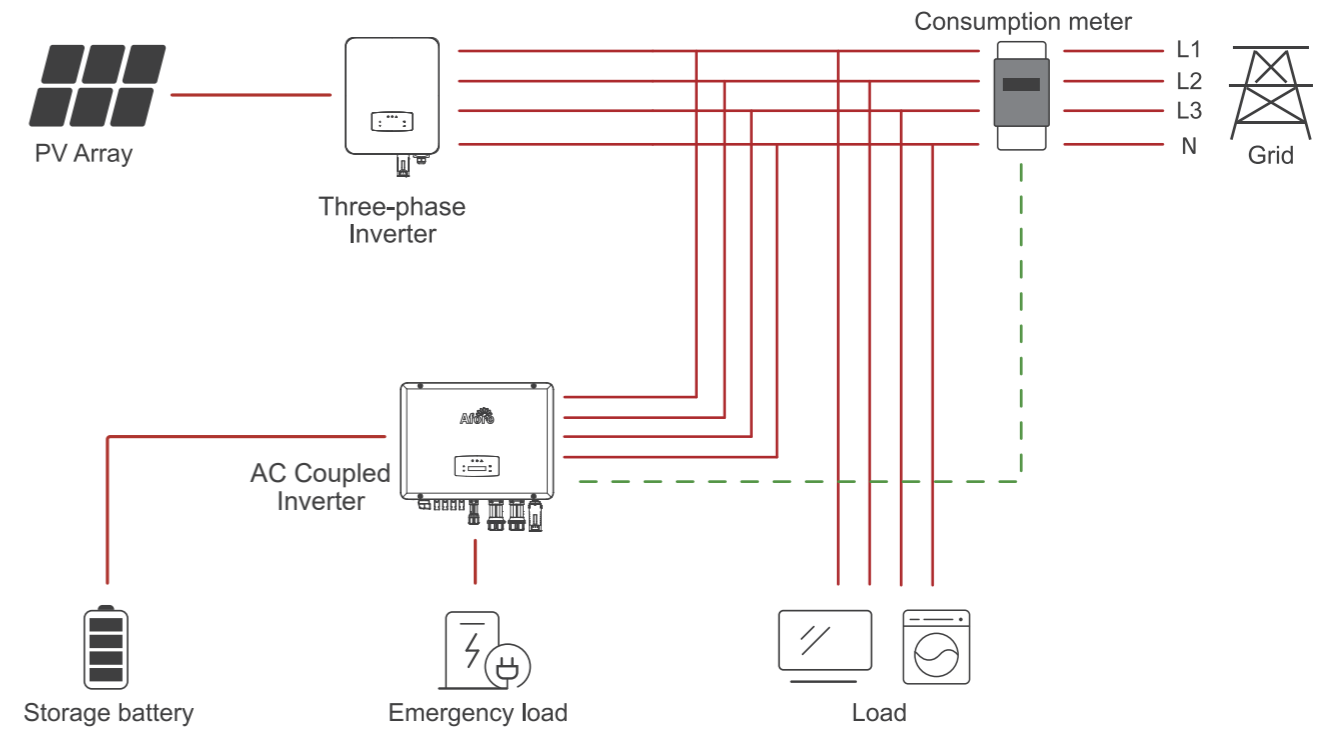


Afore AC coupled inverter (3-30kW) is suitable for three-phase systems. It can be fitted alongside with string inverter, enabling you to upgrade to solar battery storage system without changing your current installation.

Retrofitting Storage Solution on Existing Solar System:

Adding battery storage to an existing solar system enables homeowners to store their solar PV generated electricity instead of export it to the grid. More savings on your electricity bill.

Three Phase AC Coupled (Retro Fit)



- SODIUM METAL CHLORIDE BATTERY**
Support Sodium metal chloride battery
- WIDE RANGE**
Voltage Range (150-800V)
- MAX. 60A**
Max. Charge/Discharge Current 60A
- 100% UNBALANCE**
Support Unbalance Load
- UPS FUNCTION**
Switch Time < 10ms
- SMART**
Smart EMS/BMS
- SUPPORT**
Island support

- Support for Time-of-use Optimization
- Configurable Operation Modes
- AFCI (Optional) & Rapid Shutdown Ready
- Build in Anti-feed-in Function
- 100% unbalanced output, each phase; 200% unbalanced output, each phase ($\leq 10kW$)
- Smart Monitoring & Remote Firmware Upgrade

■ **Technical Data** AF3K-TH-0 AF4K-TH-0 AF5K-TH-0 AF6K-TH-0 AF8K-TH-0 AF10K-TH-0

Battery Port						
Battery Nominal Voltage (V)	200	200	200	250	300	400
Battery Voltage Range (V)	150-800					
Max. Charge/Discharge Current (A)	30					
Max. Charge/Discharge Power (kW)	3 / 3.3	4 / 4.4	5 / 5.5	6 / 6.6	8 / 8.8	10 / 11
Charging Curve	3 Stages					
Compatible Battery Type	Li-ion / Lead-acid / Sodium metal chloride battery					

AC Grid						
Nominal AC Output Power (kW)	3	4	5	6	8	10
Max. AC Input/Output Power (kVA)	4.5 / 3	6 / 4	7.5 / 5	9 / 6	12 / 8	15 / 10
Max. AC Output Current (A)	5.3	7	8.5	10.5	13.5	17
Nominal AC Voltage (V)	230/400					
Nominal AC Frequency (Hz)	50/60					
Power Factor	1 (-0.8-0.8) adjustable					
Current THD (%)	<3%					

AC Load Output (Back-up)						
Nominal Output Power (VA)	3000	4000	5000	6000	8000	10000
Nominal Output Voltage (V)	230/400					
Nominal Output Frequency (Hz)	50/60					
Nominal Output Current (A)	4.4	5.8	7.3	8.7	11.6	14.5
Peak Output Power	3300VA, 60s	4400VA, 60s	5500VA, 60s	6600VA, 60s	8800VA, 60s	11000VA, 60s
THDV (with linear load)	<3%					
Switching Time (ms)	<10					

Efficiency						
Max. Efficiency	98.00%		98.20%			

Protection						
Reverse Polarity Protection	Yes					
Over Current / Voltage Protection	Yes					
Anti-islanding Protection	Yes					
AC Short-circuit Protection	Yes					
Leakage Current Detection	Yes					
Ground Fault Monitoring	Yes					
Grid Monitoring	Yes					
Enclosure Protect Level	IP65					
Protective class	Class I					
Overvoltage category	OVC III (AC Main)					

General Data						
Dimensions (W x H x D, mm)	370 x 497 x 192 mm					
Weight (kg)	20.8kg					
Topology	Transformerless					
Cooling Concept	Natural Convection			Intelligent Fan		
Relative Humidity	0-100%					
Operating Temperature Range (°C)	-25 to 60 °C					
Operating Altitude (m)	<4000					
Noise Emission (dB)	<40					
Standby Consumption (W)	<5					
Display & Communication Interfaces	LCD, LED, RS485, CAN, Wi-Fi, GPRS, 4G					
Certification & Approvals	NRS097, G98/G99, EN50549-1, C10/C11, AS4777.2, VDE-AR-N4105, VDE0126, IEC62109-1, IEC62109-2					
EMC	EN61000-6-2, EN61000-6-3					

■ **Technical Data** AF12K-TH-0 AF15K-TH-0 AF17K-TH-0 AF20K-TH-0 AF25K-TH-0 AF30K-TH-0

Battery Port						
Battery Nominal Voltage (V)	450	500	400	500	500	550
Battery Voltage Range (V)	150-800					
Max. Charge/Discharge Current (A)	30	50	50	50	60	60
Max. Charge/Discharge Power (kW)	12 / 13.2	15 / 16.5	17 / 18.7	20 / 22	25 / 27.5	30 / 33
Charging Curve	3 Stages					
Compatible Battery Type	Li-ion / Lead-acid / Sodium metal chloride battery					

AC Grid						
Nominal AC Output Power (kW)	12	15	17	20	25	30
Max. AC Input/Output Power (kVA)	18 / 12	22.5 / 15	25.5 / 17	30 / 20	37.5 / 25	45 / 30
Max. AC Output Current (A)	21.5	27	30	32	40	48
Nominal AC Voltage (V)	230/400					
Nominal AC Frequency (Hz)	50/60					
Power Factor	1 (-0.8-0.8) adjustable					
Current THD (%)	<3%					

AC Load Output (Back-up)						
Nominal Output Power (VA)	12000	15000	17000	20000	25000	30000
Nominal Output Voltage (V)	230/400					
Nominal Output Frequency (Hz)	50/60					
Nominal Output Current (A)	17.4	21.8	24.8	29	36.3	43.5
Peak Output Power	13200VA, 60s	16500VA, 60s	18700VA, 60s	22000VA, 60s	27500VA, 60s	33000VA, 60s
THDV (with linear load)	<3%					
Switching Time (ms)	<10					

Efficiency						
Max. Efficiency	98.30%		98.50%			

Protection						
Reverse Polarity Protection	Yes					
Over Current / Voltage Protection	Yes					
Anti-islanding Protection	Yes					
AC Short-circuit Protection	Yes					
Leakage Current Detection	Yes					
Ground Fault Monitoring	Yes					
Grid Monitoring	Yes					
Enclosure Protect Level	IP65					
Protective class	Class I					
Overvoltage category	OVC III (AC Main)					

General Data						
Dimensions (W x H x D, mm)	370 x 497 x 192	558 x 535 x 260 mm				
Weight (kg)	20.8kg	29kg	36kg			
Topology	Transformerless					
Cooling Concept	Intelligent Fan					
Relative Humidity	0-100%					
Operating Temperature Range (°C)	-25 to 60 °C					
Operating Altitude (m)	<4000					
Noise Emission (dB)	<40					
Standby Consumption (W)	<5					
Display & Communication Interfaces	LCD, LED, RS485, CAN, Wi-Fi, GPRS, 4G					
Certification & Approvals	NRS097, G98/G99, EN50549-1, C10/C11, AS4777.2, VDE-AR-N4105, VDE0126, IEC62109-1, IEC62109-2					
EMC	EN61000-6-2, EN61000-6-3					