

Single Phase AC Coupled Inverter

1-6 kW



Afore AC coupled inverter (1kW-6kW) is suitable for both single-phase & three-phase systems. It can be fitted alongside with string inverter, enabling you to upgrade to solar battery storage system without changing your current installation.



SEAMLESSLY SWITCH
Seamlessly Switch Time between EPS with Grid



SMART
Smart EMS/BMS



UNIBODY
One-piece Aluminum Housing



SAFETY
Proven Safety



Max. 80A
Max. 80A Battery Charge and Discharge Current



SUPPORT
Island support

97.6% High Frequency Isolation Charge and Discharge Efficiency



Plug & Play, Easy Maintenance

Integrated WIFI Monitoring & Remote Parameter Setting

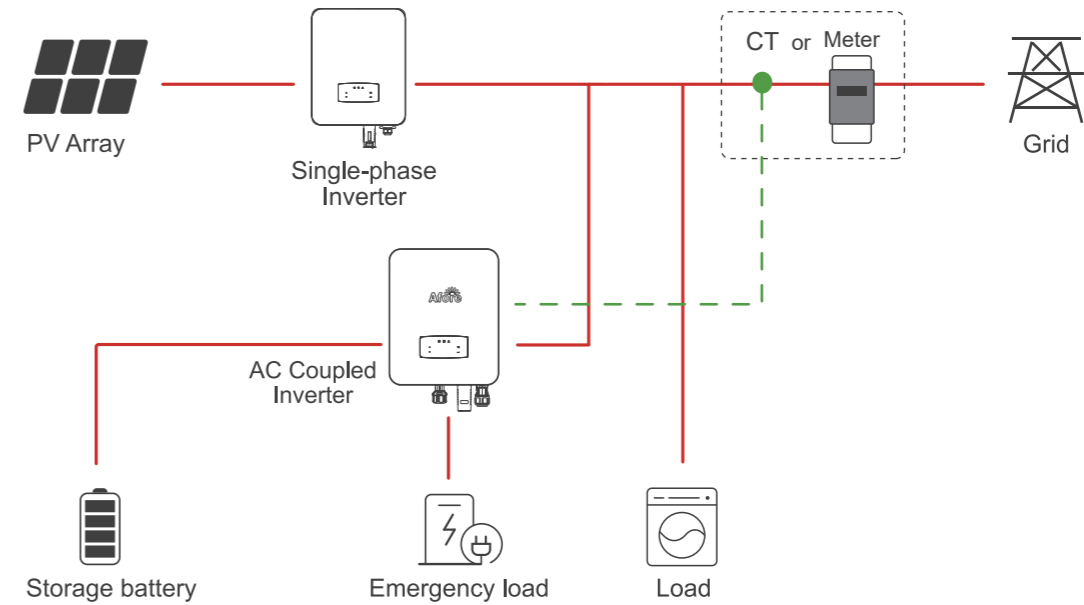


IP 65 Water-resistant & Dustproof

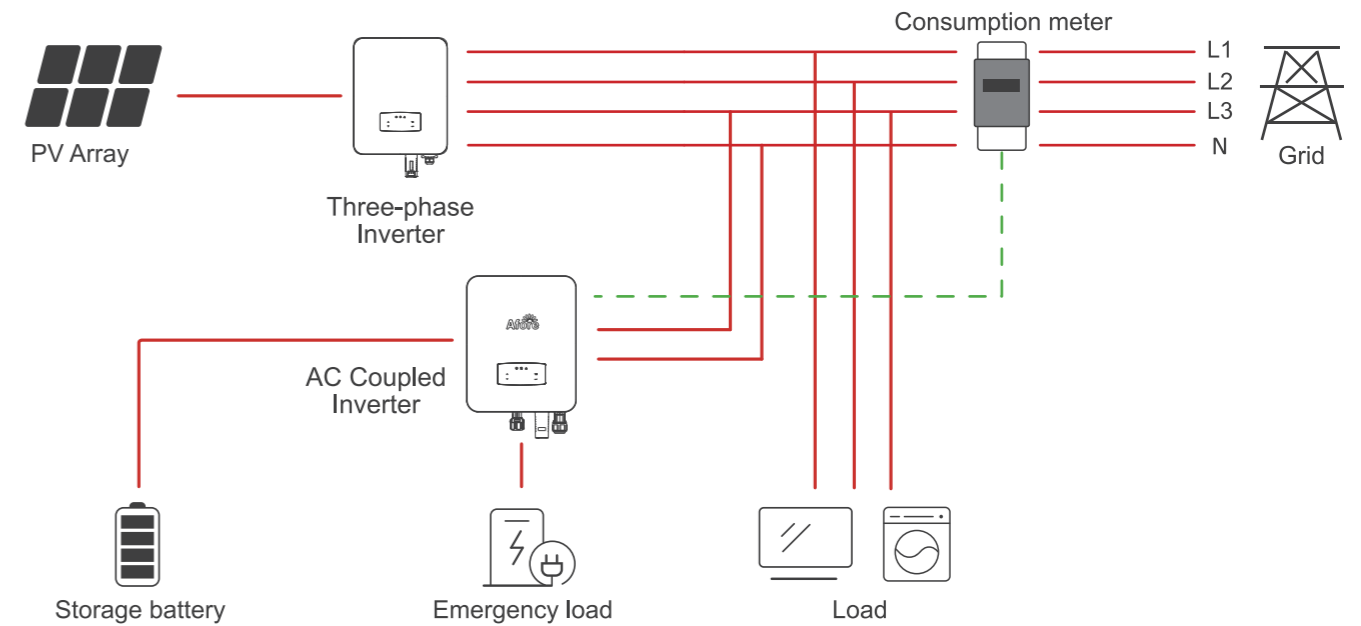
Retrofitting Storage Solution on Existing Solar System:

Adding battery storage to an existing solar system enables homeowners to store their solar PV generated electricity instead of export it to the grid. More savings on your electricity bill.

Single Phase AC Coupled (Retro Fit)



Three Phase AC Coupled (Retro Fit)



■ Technical Data	AF1K-SL-0	AF1.5K-SL-0	AF2K-SL-0	AF2.5K-SL-0	AF3K-SL-0
Battery Port					
Max. Charge/Discharge Power (kW)	1	1.5	2.0	2.5	3.0
Max. Charge/Discharge Current (A)	25	40	50	63	80
Battery Normal Voltage (V)	51.2				
Battery Voltage Range (V)	40 - 60				
Battery Type	Li-ion/lead-acid etc.				
AC Grid					
Max Continuous Current (A)	5.0	7.0	10.0	12.0	14.0
Max Continuous Power (kVA)	1.0	1.5	2.0	2.5	3.0
Nominal Grid Current(A)	4.6 / 4.4	6.9 / 6.6	9.1 / 8.7	11.4 / 10.9	13.7 / 13.1
Nominal Grid Voltage (V)	198 to 242 @ 220 / 207 to 253 @ 230				
Nominal Grid Frequency (Hz)	50 / 60				
Power Factor	0.999 (Adjustable from 0.8 overexcited to 0.8 underexcited)				
Current THD (%)	< 3				
AC Load Output					
Max Continuous Current (A)	5.0	7.0	10.0	12.0	14.0
Max Continuous Power (kVA)	1.0	1.5	2.0	2.5	3.0
Max Peak Current (A) (10min)	6.9 / 6.6	10.5 / 10.0	13.7 / 13.1	17.1 / 16.4	20.5 / 19.6
Max Peak Power (kVA) (10min)	1.5	2.3	3.0	3.75	4.5
Nominal AC Voltage L-N (V)	220 / 230				
Nominal AC Frequency (Hz)	50 / 60				
Switching Time (ms)	Seamless				
Voltage THD (%)	< 3				
Efficiency					
Max. Efficiency (%)	97.6				
Bat. between AC Efficiency (%)	96.8				
Protection					
Over Current/Voltage Protection	Yes				
Anti-Islanding Protection	Yes				
AC Short Circuit Protection	Yes				
Residual Current Detection	Yes				
Ground Fault Monitoring	Yes				
Insulation Resister Detection	Yes				
Enclosure Protect Level	IP65 / NEMA4X				
General Data					
Dimensions (W x H x D, mm)	370 x 535 x 192				
Weight	18.5				
Topology	Tranformerless				
Cooling	Intelligent Fan				
Relative Humidity	0 - 100 %				
Operating Temperature Range (°C)	- 25 to 60				
Operating Altitude (m)	< 4000				
Noise Emission (dB)	< 25				
Standby Consumption (W)	< 10				
Mounting	Wall Bracket				
Communication with RSD	SUNSPEC				
Display & Communication Interfaces	LCD, LED, RS485, CAN, Wi-Fi, GPRS, 4G				
Certification & Approvals	NRS097, G98/G99, EN50549-1, C10/C11, AS4777.2, VDE-AR-N4105, VDE0126, IEC62109-1, IEC62109-2				
EMC	EN61000-6-2, EN61000-6-3				

■ Technical Data	AF3.6K-SL-0	AF4K-SL-0	AF4.6K-SL-0	AF5K-SL-0	AF5.5K-SL-0	AF6K-SL-0
Battery Port						
Max. Charge/Discharge Power (kW)	3.6	4.0	4.6	5.0	5.5	6.0
Max. Charge/Discharge Current (A)	80	120	120	120	120	120
Battery Normal Voltage (V)	51.2					
Battery Voltage Range (V)	40 - 60					
Battery Type	Li-ion/lead-acid etc.					
AC Grid						
Max Continuous Current (A)	17.0	19.0	22.0	23.0	26.0	28.0
Max Continuous Power (kVA)	3.6	4.0	4.6	5.0	5.5	6.0
Nominal Grid Current (A)	16.4 / 15.7	18.2 / 17.4	21.0 / 20.0	22.8 / 21.8	25.0 / 24.0	27.3 / 26.1
Nominal Grid Voltage (V)	198 to 242 @ 220 / 207 to 253 @ 230					
Nominal Grid Frequency (Hz)	50 / 60					
Power Factor	0.999 (Adjustable from 0.8 overexcited to 0.8 underexcited)					
Current THD (%)	< 3					
AC Load Output						
Max Continuous Current (A)	17.0	19.0	22.0	23.0	26.0	28.0
Max Continuous Power (kVA)	3.6	4.0	4.6	5.0	5.5	6.0
Max Peak Current (A) (10min)	24.6 / 23.5	27.3 / 26.1	31.4 / 30.0	34.1 / 32.7	37.8 / 36.1	41.0 / 39.2
Max Peak Power (kVA) (10min)	5.4	6.0	6.9	7.5	8.3	9.0
Nominal AC Voltage L-N (V)	220 / 230					
Nominal AC Frequency (Hz)	50 / 60					
Switching Time (s)	Seamless					
Voltage THD (%)	< 3					
Efficiency						
Max. Efficiency (%)	97.6					
Bat. between AC Efficiency (%)	96.8					
Protection						
Over Current/Voltage Protection	Yes					
Anti-Islanding Protection	Yes					
AC Short Circuit Protection	Yes					
Residual Current Detection	Yes					
Ground Fault Monitoring	Yes					
Insulation Resister Detection	Yes					
Enclosure Protect Level	IP65 / NEMA4X					
General Data						
Dimensions (W x H x D, mm)	370 x 535 x 192					
Weight	18.5					20.5
Topology	Tranformerless					
Cooling	Intelligent Fan					
Relative Humidity	0 - 100 %					
Operating Temperature Range (°C)	- 25 to 60					
Operating Altitude (m)	< 4000					
Noise Emission (dB)	< 25					
Standby Consumption (W)	< 10					
Mounting	Wall Bracket					
Communication with RSD	SUNSPEC					
Display & Communication Interfaces	LCD, LED, RS485, CAN, Wi-Fi, GPRS, 4G					
Certification & Approvals	NRS097, G98/G99, EN50549-1, C10/C11, AS4777.2, VDE-AR-N4105, VDE0126, IEC62109-1, IEC62109-2					
EMC	EN61000-6-2, EN61000-6-3					