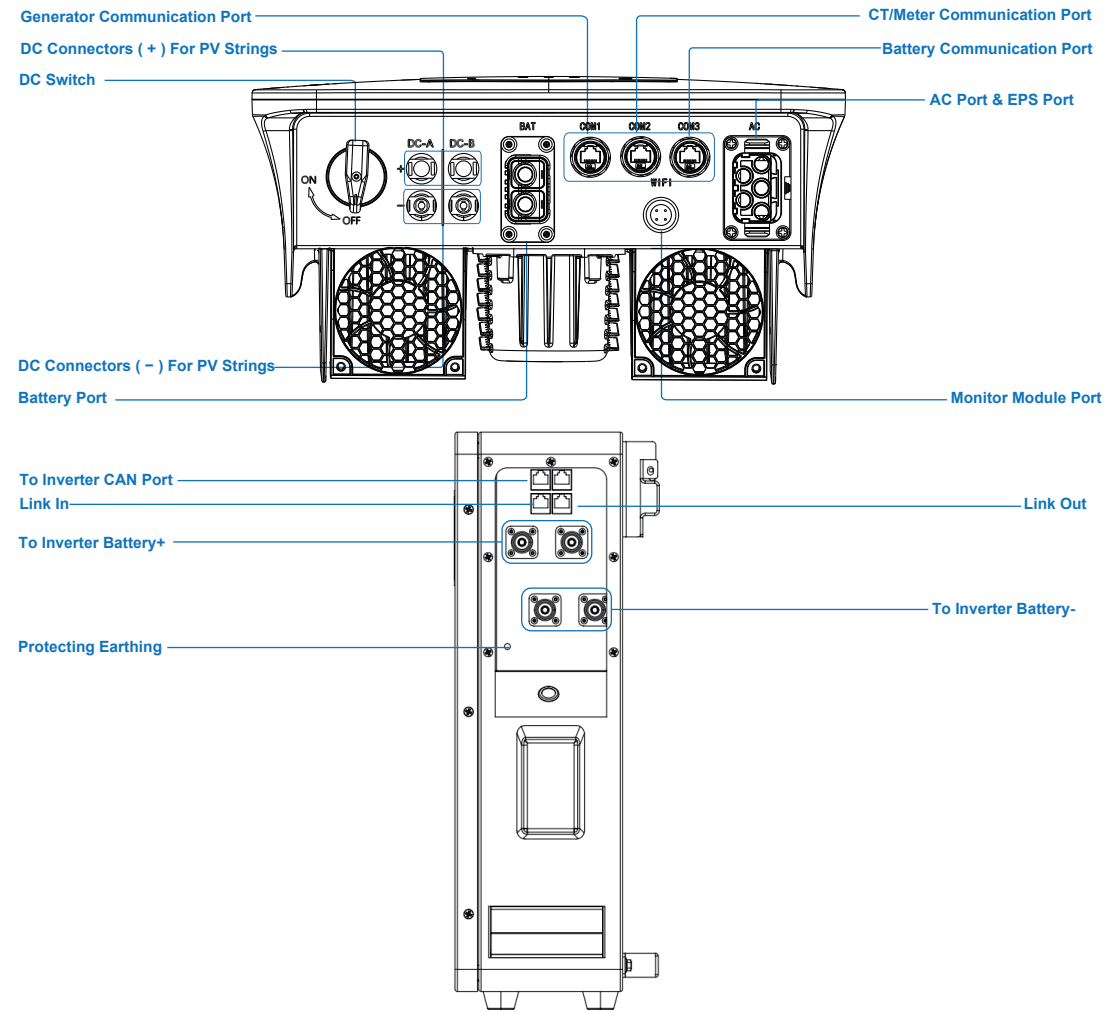


1. OVERVIEW

The following picture shows the assignment of the individual connection areas on the bottom of the inverter / battery.



2. PACKAGE LIST

On receiving the battery, please check to make sure the packing and all components are not missing or damaged. Please contact your dealer directly for supports if there is any damage or missing components.



No.	Qty	Items	No.	Qty	Items
1	1	Battery box	9	4	Lock Wall Pendant
2	1	Wall mounting bracket	10	10	Ground screw
3	2	Hanging bracket	11	4	RJ45 Crystal head
4	1	Bottom support bracket	12	2	Communication network cable
5	1	Parallel terminals +	13	2	Desiccant
6	1	Parallel terminals -	14	1	User manual
7	1	Power Line	15	1	Outgoing Inspection Report
8	1	Connet cable			

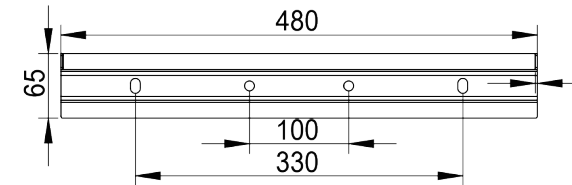
3. QUICK INSTALLATION

A

Mounting

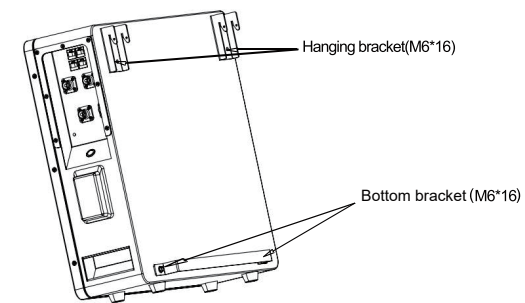
STEP 1

Drill the hole with an 10mm drill bit as follows and fix the wall bracket to the wall.



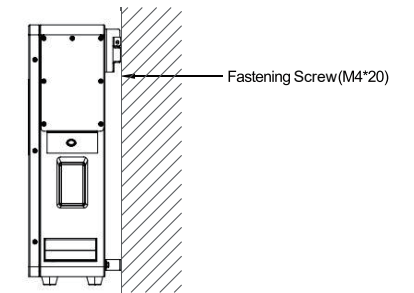
STEP 2

Install the hanging bracket.



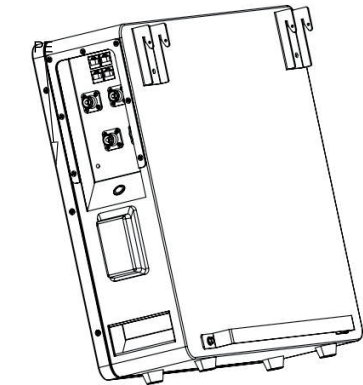
STEP 3

Hang AF5000W-LF on the wall bracket and tighten it.



STEP 4

Connect to ground.



B

LED Indicator Definition

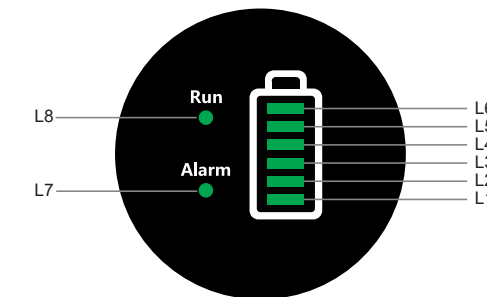
Note:

flash 1 - 0.25s light / 3.75s off

flash 2 - 0.5s light / 0.5s off

flash 3 - 0.5s light / 1.5s off

LED Indicators Instructions



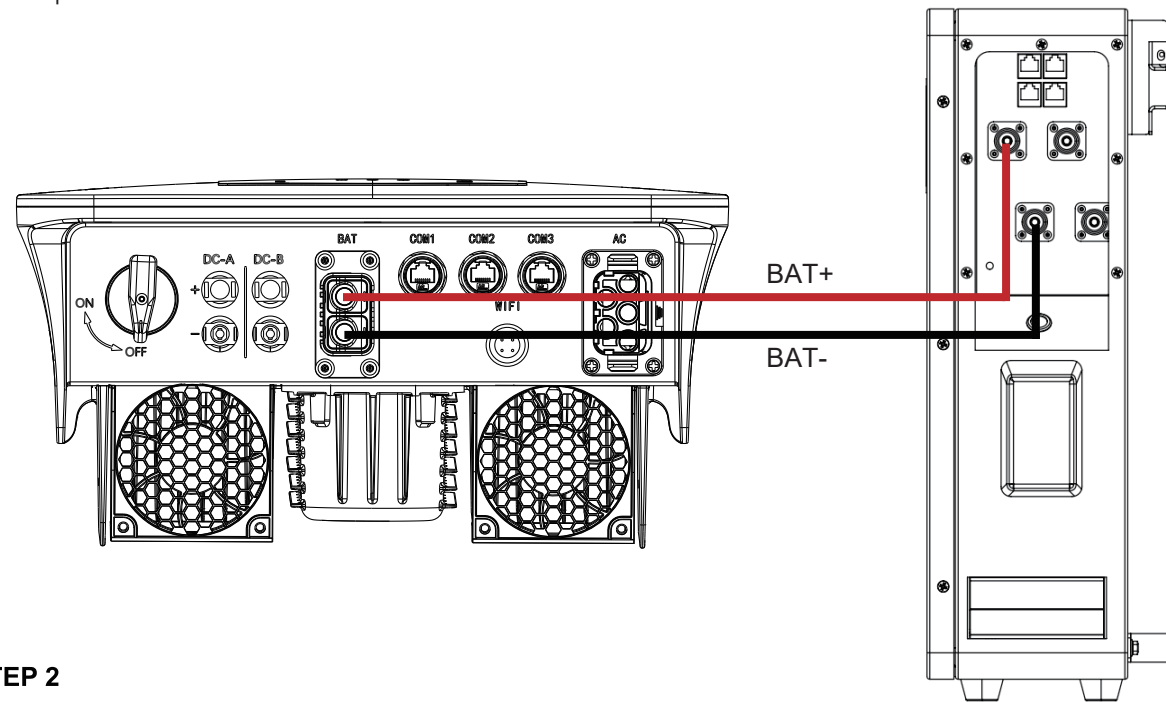
Status		RUN	ALM	Battery Level Indicator						Descriptions	
		L8	L7	L6	L5	L4	L3	L2	L1		
Shut down		OFF		OFF	OFF	OFF	OFF	OFF	OFF	OFF	All OFF
Standby	Flash 1			According to the battery level						Indicates Standby	
Charging	Normal	Light		According to the battery level						The highest capacity indicator LED flashes(flash 2),others lighting	
	Full Charged	Light		Light	Light	Light	Light	Light	Light	Light	Turn to standby status when charger off
	Protection	OFF		OFF	OFF	OFF	OFF	OFF	OFF	OFF	Stop charging
Discharge	Normal	Flash 3		According to the battery level							
	UVP	OFF		OFF	OFF	OFF	OFF	OFF	OFF	OFF	Stop charging
	Protection	OFF		OFF	OFF	OFF	OFF	OFF	OFF	OFF	Stop discharging
Fault		OFF		OFF	OFF	OFF	OFF	OFF	OFF	OFF	Stop charging and Discharging

C

Inverter Connection

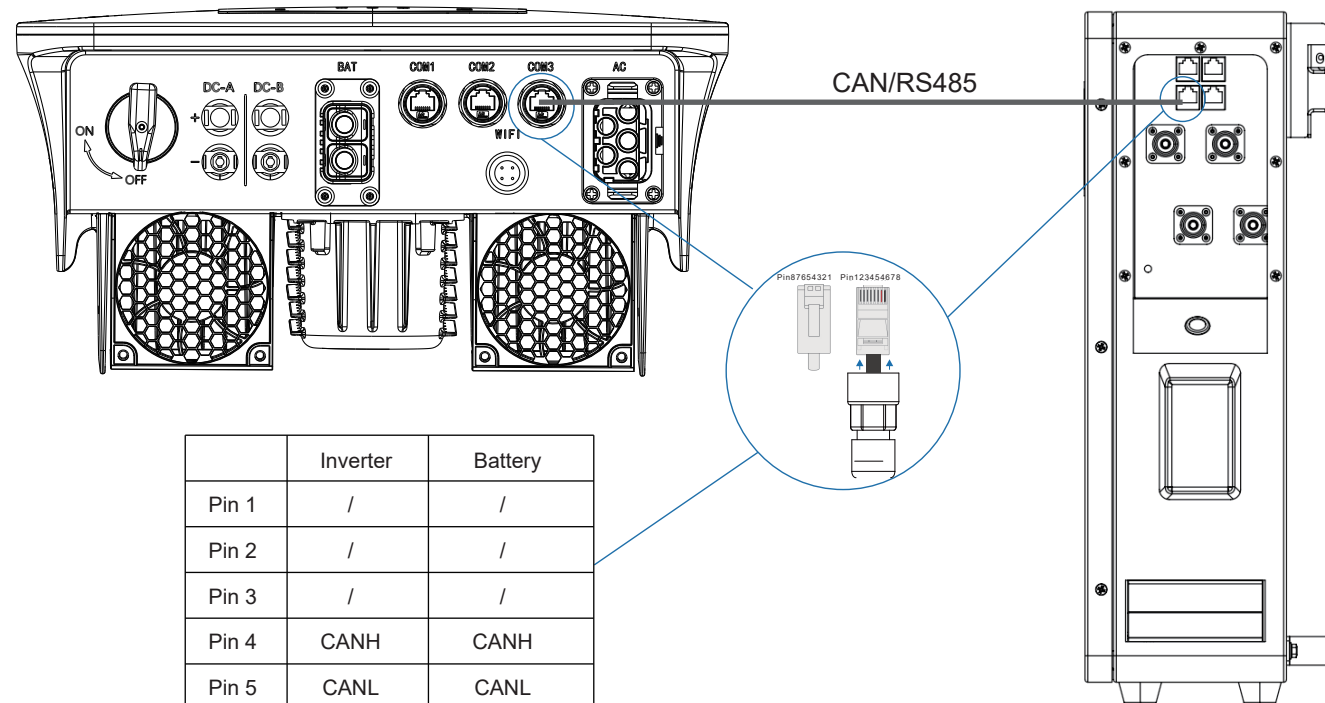
STEP 1

Connect power cable.



STEP 2

Connect communication cable.



	Inverter	Battery
Pin 1	/	/
Pin 2	/	/
Pin 3	/	/
Pin 4	CANH	CANH
Pin 5	CANL	CANL
Pin 6	/	/
Pin 7	RS485-A	RS485-A
Pin 8	RS485-B	RS485-B

C

Parallel connection of batteries

When multiple batteries are connected in parallel, follow the following wiring mode.

The battery connected to the inverter is the master, while the other batteries are the slave .

